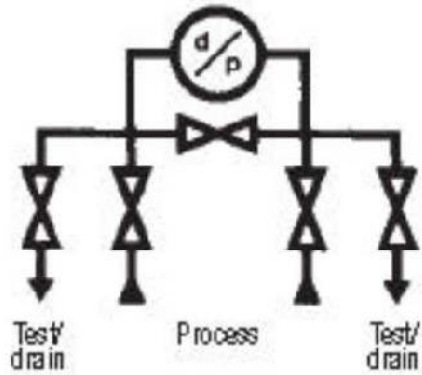


## Annexure-I

### 5 Way Manifold Valves :

#### Process Connection detail:



Inlet/process	Outlet/inst.	Drain/bleed/test
1/2" NPT	1/2" NPT	1/4" NPT

